

Indexing Plungers

Steel / Stainless Steel, with Flange for Surface Mounting, with or without Rest Position

SPECIFICATION

Types

- Type **A**: With pull ring, without rest position
- Type **C**: With pull ring, with rest position

Guide

Steel precision casting

- Zinc plated, blue passivated **ZB**
- Zinc plated and powder coated Black, RAL 9005, textured finish **SW**

Guide

Stainless steel precision casting AISI 316 **A4**

Pull ring

- Steel precision casting Zinc plated, blue passivated (ZB and SW)
- Steel precision casting AISI 316 (for A4)

Plunger Pin

- Steel precision casting Steel, zinc plated, blue passivated (ZB and SW)
- Stainless steel AISI 316 (for A4)

Grub Screw DIN 915

- Steel, zinc plated (for ZB and SW)
- Stainless steel (for A4)

Pressure spring

Stainless steel AISI 316Ti

INFORMATION

With indexing plungers GN 722.5, the plunger pin is actuated via the pull ring. This is done either manually, with a cable or by means of an extended pull rod with hook. The **ST** version is designed for applications in steel construction, whereas the stainless steel version **A4** is suitable for use in particularly aggressive environments.

The type with rest position is used when the plunger pin should temporarily not protrude. For this purpose, the pull ring is turned sideways after the locking pin has been retracted. The ring is held in this position by the catch groove at the top of the guide.

The dimensional tolerances between the pin and the guide have been chosen to ensure functional reliability even in roughly dimensioned applications or in the event of soiling.

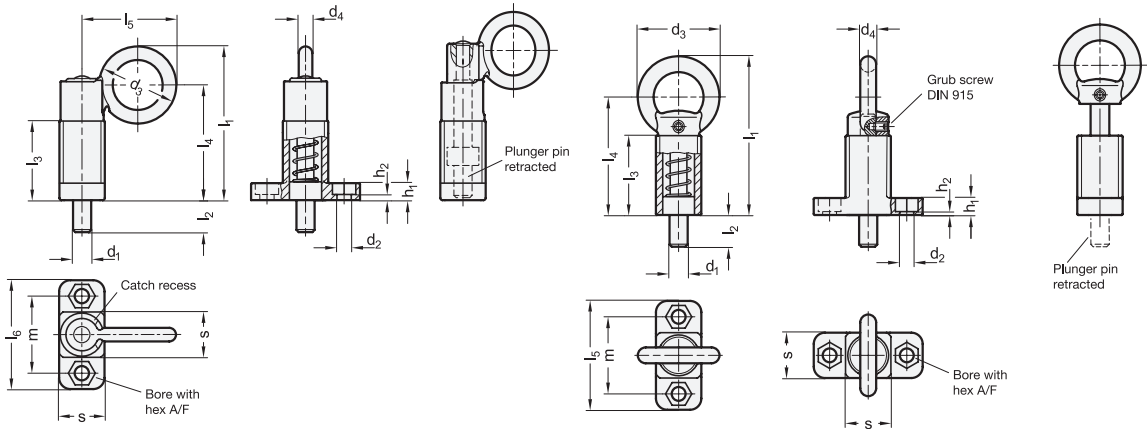
There are several options for fastening. The hexagonal mounting holes allow the use of socket cap screws DIN 912 and hex screws or nuts according to DIN 931 or DIN 934.

- Range of Indexing Plungers (see page 816)

TECHNICAL INFORMATION

- Load Rating Information (see page A42)
- Stainless Steel Characteristics (see page A26)





* Complete with

SW Black, RAL 9005 **ZB** Zinc plated

GN 722.5-ST

Description	d ₁ Pin -0.05/-0.25 Bore +0.1/+0.3	s	d ₂ +0.3	d ₃	d ₄	h ₁	h ₂	l ₁ ≈	l ₂	l ₃	l ₄	l ₅	m	A/F	Spring load in N ≈ initial	Spring load in N ≈ end	⚖️
GN 722.5-8-20-A-*	8	20	6.1	36	7	7.5	1.5	70	14	35	52	48	34	10	14	35	155
GN 722.5-10-20-A-*	10	20	6.1	36	7	7.5	1.5	70	14	35	52	48	34	10	14	35	160
GN 722.5-12-20-A-*	12	20	6.1	36	7	7.5	1.5	70	14	35	52	48	34	10	14	35	163
GN 722.5-14-20-A-*	14	20	6.1	36	7	7.5	1.5	70	14	35	52	48	34	10	14	35	167
GN 722.5-16-30-A-*	16	30	10.1	50	10	15	5	103	20	54	78	80	55	17	22	70	703
GN 722.5-20-30-A-*	20	30	10.1	50	10	15	5	103	20	54	78	80	55	17	22	70	721

GN 722.5-ST-RP

Description	d ₁ Pin -0.05/-0.25 Bore +0.1/+0.3	s	d ₂ +0.3	d ₃	d ₄	h ₁	h ₂	l ₁ ≈	l ₂	l ₃	l ₄ ≈	l ₅	l ₆	m	A/F	Spring load in N ≈ initial	Spring load in N ≈ end	⚖️
GN 722.5-8-20-C-*	8	20	6.1	34	6	7.5	1.5	68	14	35	51	48	48	34	10	14	35	172
GN 722.5-10-20-C-*	10	20	6.1	34	6	7.5	1.5	68	14	35	51	48	48	34	10	14	35	178
GN 722.5-12-20-C-*	12	20	6.1	34	6	7.5	1.5	68	14	35	51	48	48	34	10	14	35	184
GN 722.5-14-20-C-*	14	20	6.1	34	6	7.5	1.5	68	14	35	51	48	48	34	10	14	35	195
GN 722.5-16-30-C-*	16	30	10.1	48	9	7.5	5	102	20	54	78	80	80	55	17	22	70	642
GN 722.5-20-30-C-*	20	30	10.1	48	9	7.5	5	102	20	54	78	80	80	55	17	22	70	664

Weight SW

GN 722.5-A4

STAINLESS STEEL

Description	d ₁ Pin -0.05/-0.25 Bore +0.1/+0.3	s	d ₂ +0.3	d ₃	d ₄	h ₁	h ₂	l ₁ ≈	l ₂	l ₃	l ₄	l ₅	m	A/F	Spring load in N ≈ initial	Spring load in N ≈ end	⚖️
GN 722.5-8-20-A-A4	8	20	6.1	36	7	7.5	1.5	70	14	35	52	48	34	10	14	35	155
GN 722.5-10-20-A-A4	10	20	6.1	36	7	7.5	1.5	70	14	35	52	48	34	10	14	35	160
GN 722.5-12-20-A-A4	12	20	6.1	36	7	7.5	1.5	70	14	35	52	48	34	10	14	35	163
GN 722.5-14-20-A-A4	14	20	6.1	36	7	7.5	1.5	70	14	35	52	48	34	10	14	35	167
GN 722.5-16-30-A-A4	16	30	10.1	50	10	15	5	103	20	54	78	80	55	17	22	70	703
GN 722.5-20-30-A-A4	20	30	10.1	50	10	15	5	103	20	54	78	80	55	17	22	70	721

GN 722.5-A4-RP

STAINLESS STEEL

Description	d ₁ Pin -0.05/-0.25 Bore +0.1/+0.3	s	d ₂ +0.3	d ₃	d ₄	h ₁	h ₂	l ₁ ≈	l ₂	l ₃	l ₄ ≈	l ₅	l ₆	m	A/F	Spring load in N ≈ initial	Spring load in N ≈ end	⚖️
GN 722.5-8-20-C-A4	8	20	6.1	34	6	7.5	1.5	68	14	35	51	41.5	48	34	10	14	35	172
GN 722.5-10-20-C-A4	10	20	6.1	34	6	7.5	1.5	68	14	35	51	41.5	48	34	10	14	35	178
GN 722.5-12-20-C-A4	12	20	6.1	34	6	7.5	1.5	68	14	35	51	41.5	48	34	10	14	35	184
GN 722.5-14-20-C-A4	14	20	6.1	34	6	7.5	1.5	68	14	35	51	41.5	48	34	10	14	35	195
GN 722.5-16-30-C-A4	16	30	10.1	48	9	7.5	5	102	20	54	78	60	80	55	17	22	70	642
GN 722.5-20-30-C-A4	20	30	10.1	48	9	7.5	5	102	20	54	78	60	80	55	17	22	70	664

